

# ELECTRONIC PLATFORM SCALES (BASIC TYPE)

CAN BE CUSTOMIZED

DATA OUTPUT

- Zero-setting, simple counting
- Weighing, subtracting tare value
- Overload alarm
- Automatic power off
- Low voltage indication
- Unit: kg, lb
- Data output

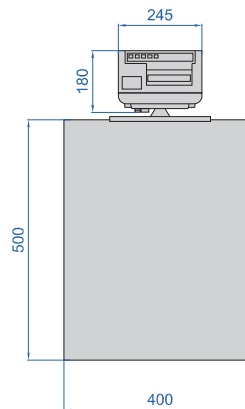
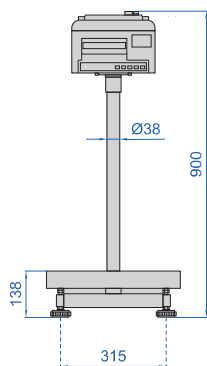
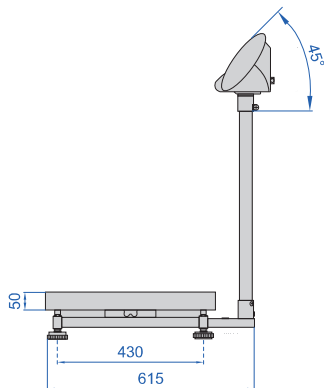


printer (optional)



8508-61KA

Unit: mm



## SPECIFICATION

Output	RS232
Operation temperature	-10~40°C
Operation humidity	30%~80%RH
Power supply	rechargeable lead acid battery (6V/4Ah)
Stabilization time	≤2s
Material	platform: stainless steel, base: carbon steel
Dimension of platform	400×500mm
Weight	14kg

## OPTIONAL ACCESSORY

RS232 cable	8306-CABLE*
Printer	8306-PRINTER

\* Used to connect with computers

Code	Maximum weighing	Resolution (d)	Minimum weighing	Repeatability	Accuracy	Verification interval (e)	Number of verification interval (n)
8508-61KA	61kg	1g	20g	±2g	±3g	10g	6100
8508-110KA	110kg	1g	50g	±2g	±3g	10g	11000
8508-160KA	160kg	1g	50g	±3g	±5g	10g	16000
8508-61K	61kg	10g	200g	±20g	±30g	100g	610
8508-110K	110kg	10g	200g	±20g	±30g	100g	1100
8508-160K	160kg	10g	200g	±20g	±30g	100g	1600
8508-210K	210kg	10g	200g	±20g	±30g	100g	2100
8508-310K	310kg	10g	200g	±30g	±50g	100g	3100